

 DEERMA

DEERMA, JUST WHAT  
YOU NEED



# DEM-S40

DEERMA Robot Vacuum

**USER MANUAL**

This product is only for indoor household use.

Before using the product described in this manual, please read and follow the precautions below to avoid dangerous situations and ensure the product operates correctly.

### Warning

This appliance is not intended for use by persons (including children) with reduced physical, sensory or mental capabilities, or lack of experience and knowledge, unless they have been given supervision or instruction concerning use of the appliance by a person responsible for their safety.

This appliance can be used by children aged from 8 years and above and persons with reduced physical, sensory or mental capabilities or lack of experience and knowledge if they have been given supervision or instruction concerning use of the appliance in a safe way and understand the hazards involved. Children shall not play with the appliance. Cleaning and user maintenance shall not be made by children without supervision.

The plug must be removed from the socket-outlet before cleaning or maintaining the appliance.

Children should be supervised to ensure that they do not play with the appliance.

This appliance contains batteries that are only replaceable by skilled persons.

**WARNING:** For the purposes of recharging the battery, only use the detachable supply unit provided with this appliance.

Only professionals authorized by DEERMA are allowed to disassemble this product. It is not recommended for users to disassemble the product themselves.

Use only with supply unit.

## ● SAFETY INSTRUCTIONS

---

EN

Do not bend the wires excessively, and do not place items or sharp objects on the machine.

Do not use it outdoors, on non-floor surfaces or industrial environments.

Do not place children, pets, or any items on the main unit.

Do not use this product in damp environments (such as bathrooms).

Before using this product, please remove fragile items, and clutter on the ground (such as vases, glass cup lamps, plastic bags, etc.), as well as items that may tangle the side the brush, suction channel, and drive wheel (such as wires, curtains, and other entangled objects) to avoid damage to valuable items or influencing the main unit's operation.

Do not place the product in areas where it may fall easily (such as tables, chairs).

If you need to transport or not use the product for a long time, please turn off the machine.

Before charging, carefully check whether the power plug is properly connected to the socket.

To prevent tripping hazards, inform other people in the room when the product is operating.

If the dust box is full, please empty it before using.

The suitable operating temperature of this product is 0°C to 40°C.

Do not use this product in high-temperature environments.

If you need to dispose of this product, please contact after-sales personnel to remove the battery. Please dispose of old batteries through safe recycling.

## Battery Safety

When not charging or when not in use for an extended period please unplug the charger from the power outlet and disconnect it from the product.

Do not use chargers that are already damaged or suspected of being damaged, or have been exposed to moisture, dampness, or rain to prevent electric shock or fire.

## Battery Removal and Disposal

This appliance contains a rechargeable lithium battery pack. The chemical substances within it can cause environmental pollution. Please remove the battery pack before the product is scrapped and hand it over to a professional battery recycling institution for centralized disposal.

Before discarding the appliance, the battery must be removed from the appliance.

When removing the battery, the appliance must be powered off.

The battery should be disposed of safely.

### NOTE

Please power off the appliance and drain the battery as much as possible before removing the battery.

Please hand over the removed battery to a professional battery recycling institution for disposal.

Do not expose the battery to high-temperature environments, as it may cause an explosion.

If the battery leaks and you accidentally come into contact with the leaked liquid, immediately rinse the affected area with plenty of clean water and seek medical attention right away.

### DEM-S40 Battery Removal Procedure:

1. Take out the water tank and place the main unit upside down.
2. Remove the screws securing the battery cover and detach the battery cover.
3. Remove the screws securing the bumper retaining strip.
4. Remove all screws securing the bottom cover.
5. Detach the bumper retaining strip and disconnect the bumper ABS cable.
6. Remove the bumper.
7. Turn the main unit over and remove the top cover of it.
8. Disconnect the battery connector.
9. Take the battery out from the bottom of the main unit.

## Battery Removal and Disposal

Pay attention to:

All products bearing this symbol are waste electrical and electronic equipment (WEEE as in directive 2012/19/EU) which should not be mixed with unsorted household waste. Instead, you should protect human health and the environment by handing over your waste equipment to a designated collection point for the recycling of waste electrical and electronic equipment, appointed by the government or local authorities. Correct disposal and recycling will help prevent potential negative consequences to the environment and human health. Please contact the installer or local authorities for more information about the location as well as terms and conditions of such collection points.

For detailed e-manual, please go to [www.deerma.com](http://www.deerma.com)



Accessory List



1



2



3



4



5



6



7



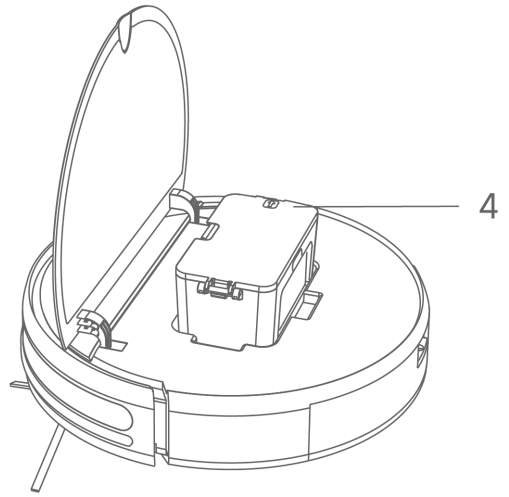
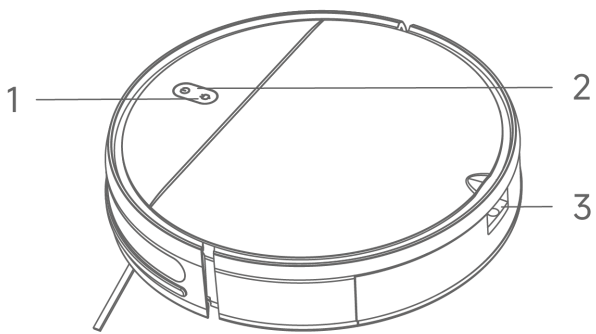
8

- 1. Main Unit
- 2. Power Adapter
- 3. Charging Base
- 4. Water Tank

- 5. Remote Control
- 6. Side Brushes ×2
- 7. Mop Pad Holder
- 8. Mop Pad

**Component Name**

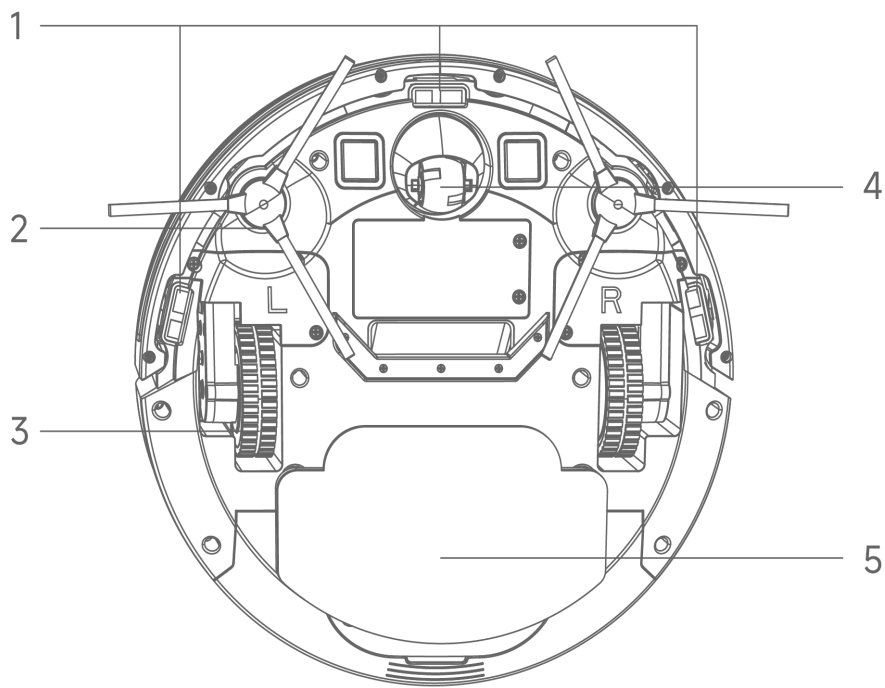
Main Unit



- 1. Recharge Button
- 2. Power Button

- 3. Water Tank Button
- 4. Dust Box

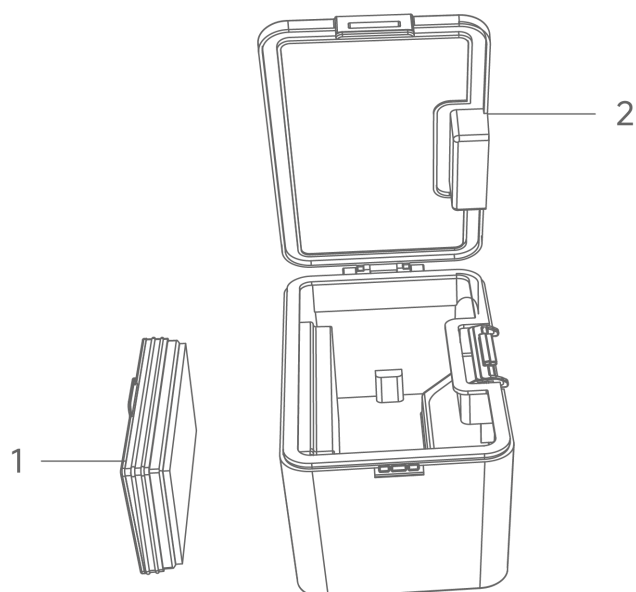
Component Name



- 1. Lower Visual Sensor
- 2. Side Brushes
- 3. Driving Wheel

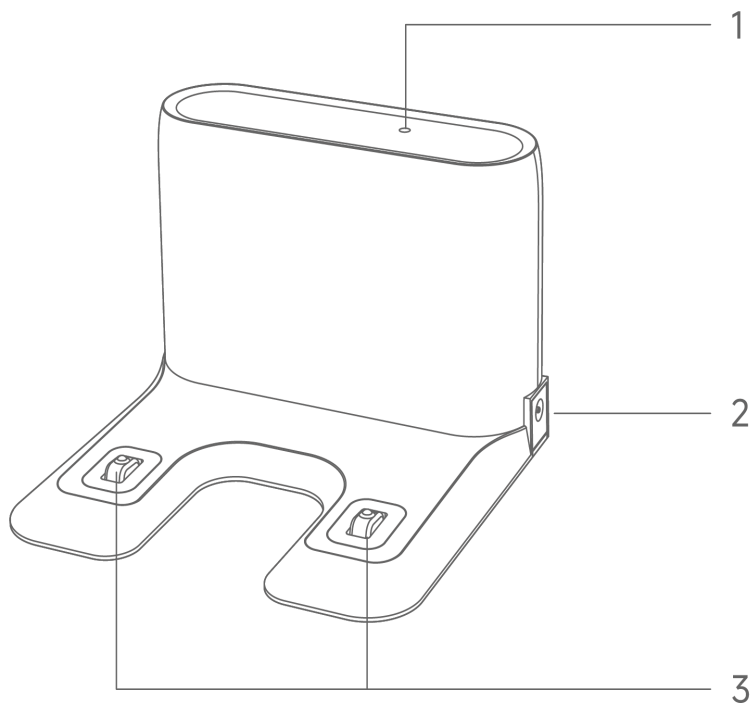
- 4. Universal Wheel
- 5. Water Tank ( Mop Pad )

Dust Box



- 1. HEPA Filter
- 2. Dust Box Flip

**Component Name**



- 1. Signal Indicator
- 2. DC Plug

- 3. Charging Electrode

Component Name

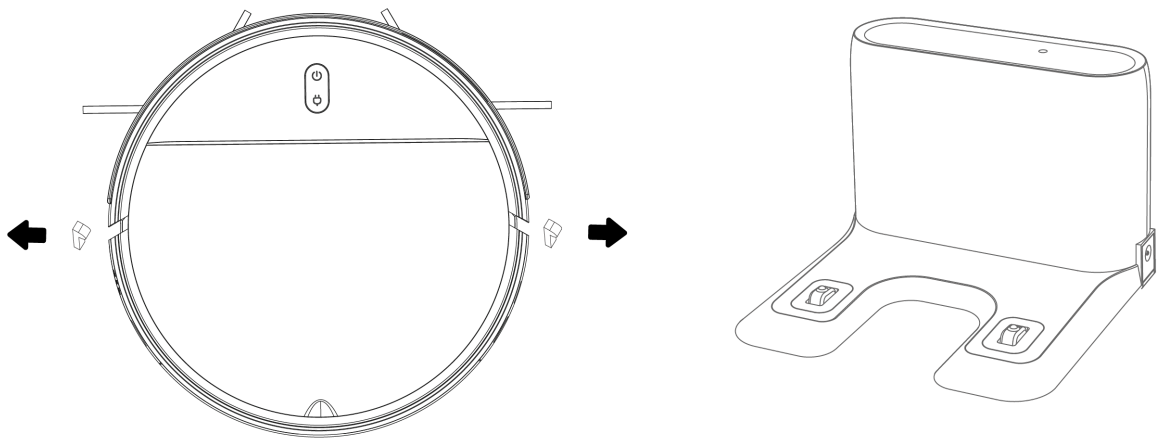
Remote Control



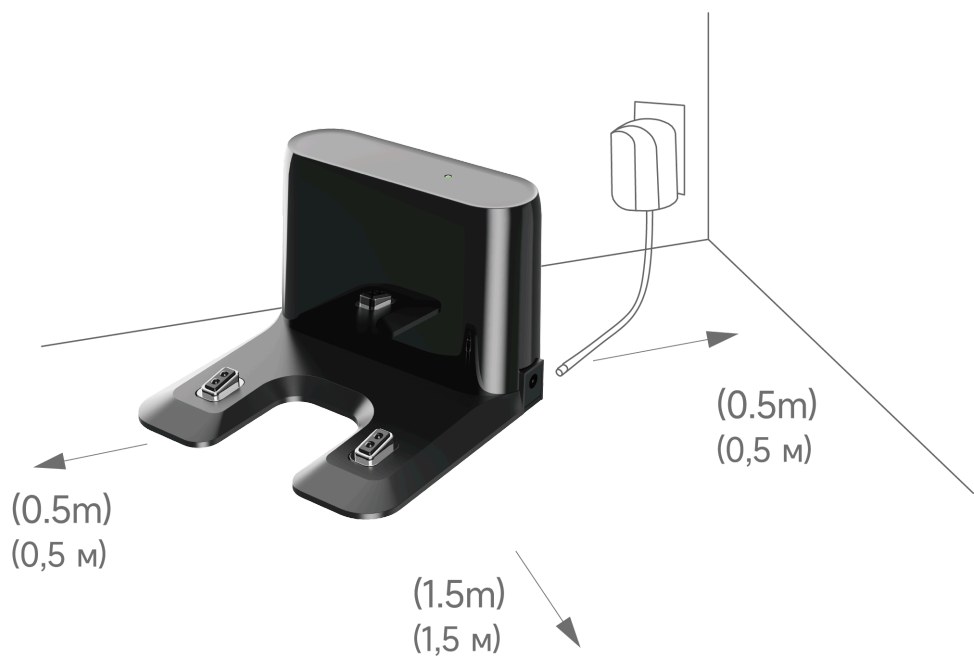
- 1. Power button
- 2. Automatic cleaning
- 3. Direction control
- 4. Zig-zag cleaning
- 5. Suction adjustment

- 6. Edge cleaning
- 7. Recharge
- 8. Spot cleaning
- 9. Pause/Start
- 10. Water flow adjustment

## Preparations



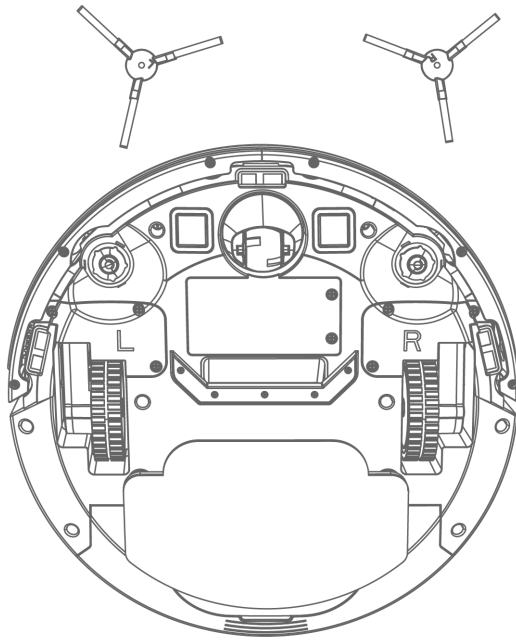
1. Before using the cleaner, remove protective strips and protective film from the cleaner.



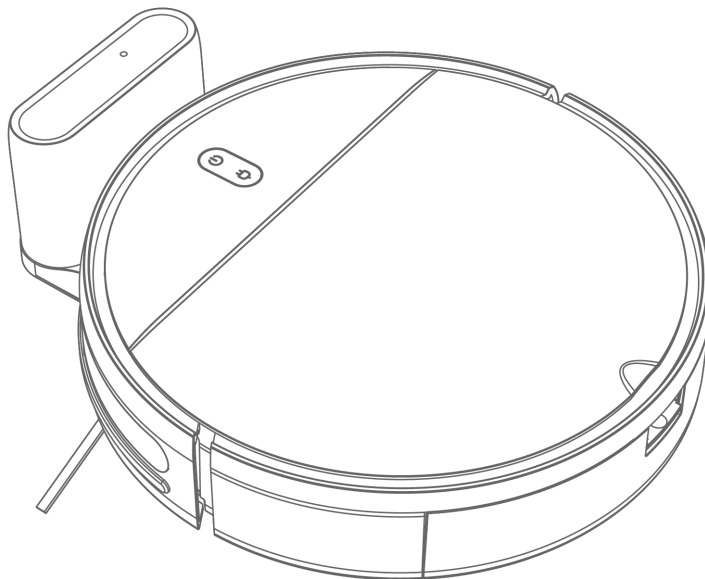
2. Place the charging base on the flat ground against the wall. Do not place any articles 0.5 m on the left and right of the charging base or 1.5 m in front of the charging base.

3. Connect the charging base to the power supply.

## Preparations



4. Install the left and right side brushes.



5. Place the main unit on the charging base to charge the main unit. During charging, the indicator blinks. When charging is complete, the indicator is steady on. It takes about five hours to fully charge the main unit.

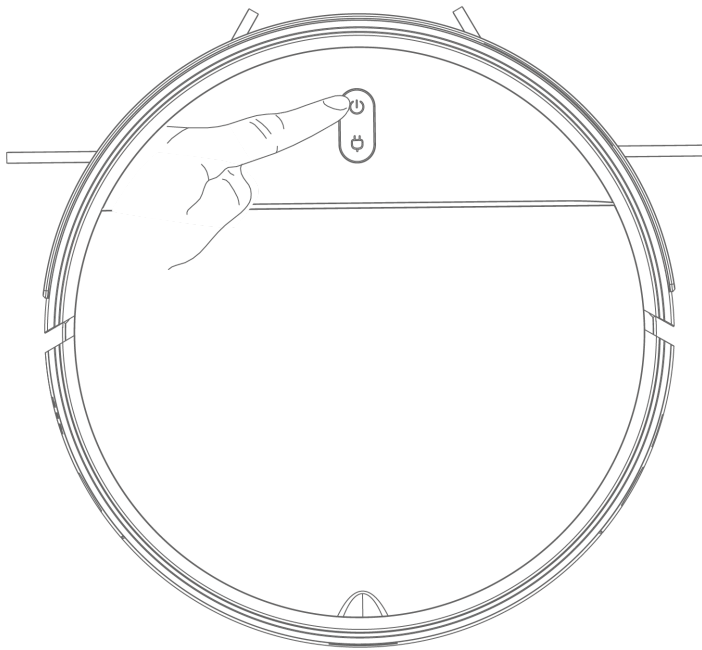
During cleaning, the main unit automatically checks its power level. If the power is insufficient, the main unit activates the recharge mode and automatically returns to the charging base for charging. Alternatively, you can press the Recharge button on the remote control to instruct the main unit to return to the charging base for charging.

## Preparations

### CAUTION

- Do not use the charging base in reflective environments such as areas exposed to direct sunlight or areas with mirrors nearby. If there are reflective objects, cover the charging base at a height of 7 cm from the bottom.
- To ensure the normal working duration of the main unit, fully charge the main unit before use. The charging time is about five hours.
- To ensure the safety of charging and prevent a damp cloth from damaging the floor, remove the water tank before charging the main unit.

## Starting Cleaning



In the power-off state, press and hold the power button. After the indicator of the main unit is on, indicating that the main unit is powered on, press the power button again.

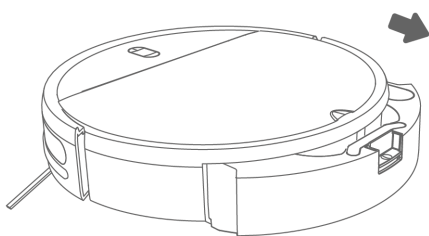
You can choose different cleaning modes through the main unit or remote control.

### Warning

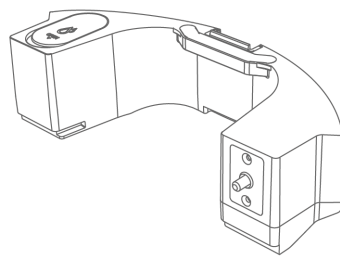
Before cleaning and maintaining the appliance, it should be turned off and the power plug should be unplugged.

### Cleaning the Water Tank

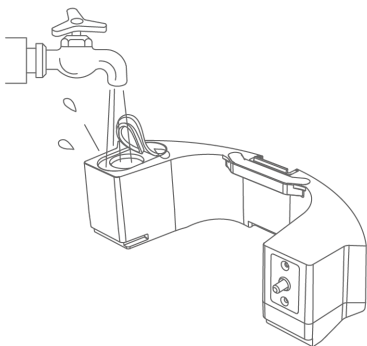
1



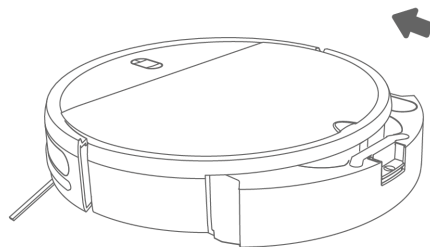
2



3



4



1. Take out the water tank.
2. Close the rubber plug tightly.

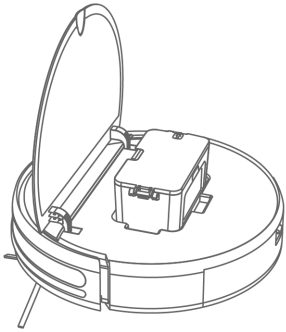
3. Open the silica gel plug and add water.
4. Reinstall the water tank.

### NOTE:

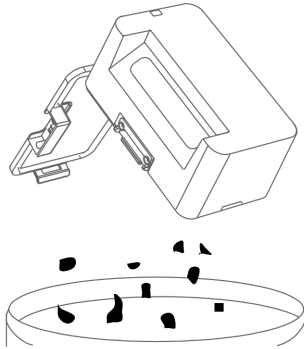
- Please do not use the mopping function on the carpet.
- After mopping is finished, please clean the water tank and disassemble the mop cloth in time.
- When there is water in the water tank, do not lift the water tank or the robot sideways.

## Cleaning the Dust Box

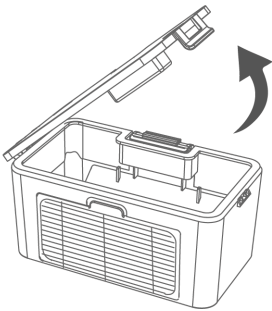
1



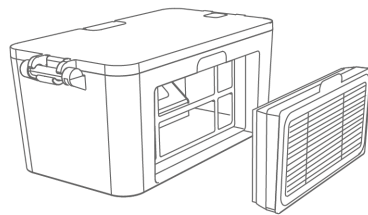
2



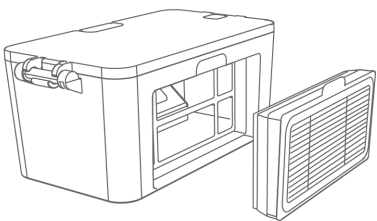
3



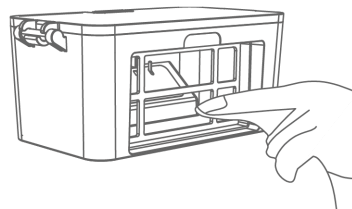
4



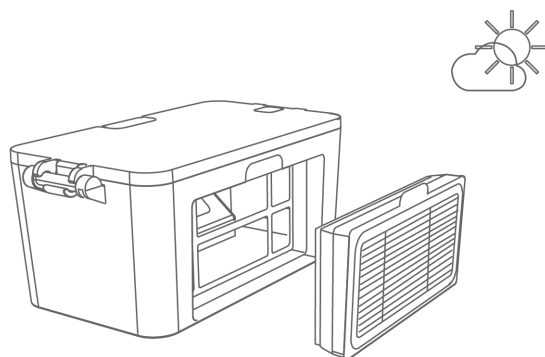
5



6



7

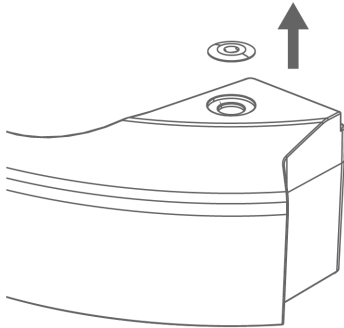


## Cleaning the Dust Box

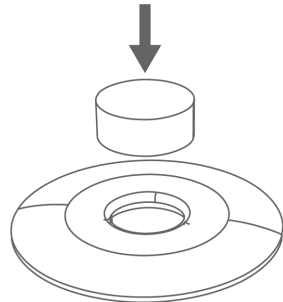
1. Press the button on the dust box to remove the dust box.
2. Open the side cover of the dust box.
3. Empty the dust box.
4. Take out the HEPA filter.
5. Tap the HEPA filter to remove dust.
6. Clean the dust box with a cloth.
7. Dry the dust box and filter component to guarantee their service life.  
NOTE: It is recommended to remove dust if the HEPA filter is used for 15–30 days. The maximum service life of the HEPA filter is three months.
8. Put the HEPA filter back into the dust box.
  - Before installing the HEPA filter, ensure that the HEPA filter is dry.
  - Do not expose the HEPA filter to direct sunlight.
9. Close the cover of the dust box and install the dust box on the main unit.

## Cleaning the Filter Cotton

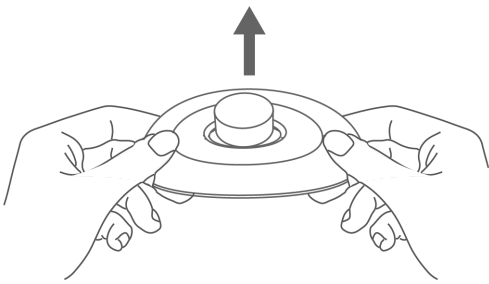
1



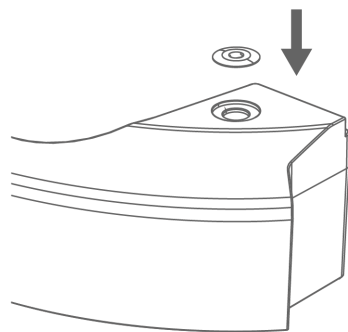
2



3



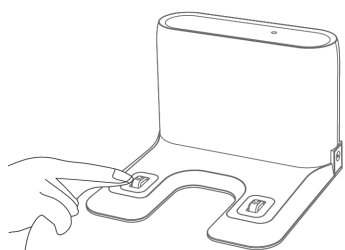
4



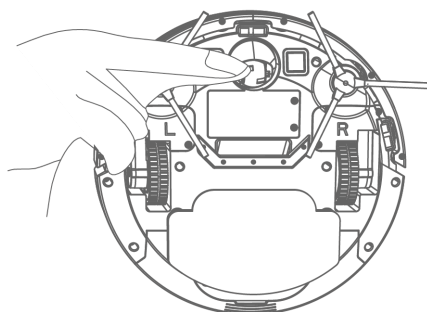
1. Take out the outlet rubber plug.
2. Take out the filter cotton from the outlet rubber plug.
3. Replace with a new filter cotton.
4. Install the outlet rubber plug.

## Cleaning Other Components

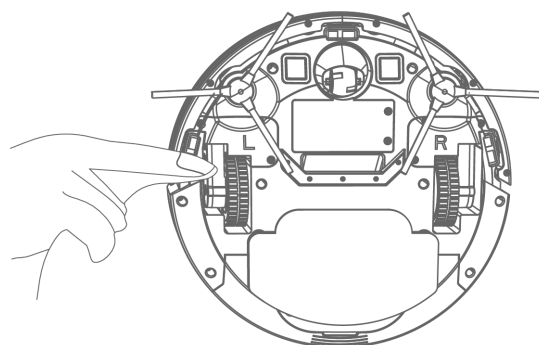
1



2



3



1. Cleaning the charging electrode.
2. Cleaning the lower visual sensor.
3. Cleaning the driving wheel and universal wheel.

### NOTE

- If you do not use the product for a long time, fully charge the product and then power off the product before you store the product. Charge the product every three months in case of over-discharge of the battery.
- If the battery is over-discharged or is not used for a long time, the product may not be rechargeable. Contact after-sales service personnel of the company for maintenance. Do not disassemble the product.

Power Indicator

Category	Status	Light Pattern
Power Management	Power On	● Solid Green
	Power Off	● Off
	Sleep Mode	● Off
Operation Status	Cleaning	● Solid Green
	Standby	● Solid Green
Warnings & Alerts	Low Battery Warning	● Fast Red Blink
	System Alert	● Fast Red Blink

Charging Indicator

Category	Status	Light Pattern
Charging Process	Charging	● Solid Yellow
	Low Battery Charging	● Solid Red
	Charging in Progress	● Slow Green Blink
	Charge Complete	● Solid Green

## Main Unit

Product Name: Robot Vacuum

Product Model: DEM-S30 Plus

Rated Voltage: 14.4 V  $\equiv$

Rated Power: 28 W

Adapter/Charging Base Input: 100-240V~ 50/60Hz 0.35A Max

Adapter/Charging Base Output: 19 V  $\equiv$  0.6 A

Standby Mode:  $\leq$  0.3 W

This warranty gives you specific legal rights, and you may also have other rights which vary by country. The duration and conditions related to the legal warranties are provided by respective local laws. DEERMA shall not be liable for any costs, damages, or repairs resulting from the following conditions:

- Normal wear and tear.
- For commercial, professional or non-household use, unless the product is explicitly designated for such use.
- Consumables and accessories.
- Non-compliance with the user instructions. Defects caused by rough or inappropriate handling or use.
- Damage caused by accident (e.g., impact, shock, exposure to liquid), fire, water, lightning or other acts of nature.
- Damage caused by incompatible or non-approved accessories or components.
- Willful or deliberate damage, neglect or negligence.
- Repairs, modifications, or disassembly performed by unauthorized persons or agents.
- Any alteration or modification to the product.
- Products purchased from unauthorized sellers/dealers/resellers, unless otherwise required by applicable law.

In case of a product fault or for any warranty questions, please reach out to the seller with your purchase receipt. You may also contact DEERMA customer support directly for further assistance. For complete information on consumer warranty benefits, visit DEERMA's official website at <http://www.deerma.com>.

---

**Guangdong Deerma Health Technology Co., Ltd.**

Add: No. 9 Chuangsheng Road, Xincun Village, Beijiao Town,  
Shunde District, Foshan City, Guangdong Province, China  
Made in China

