

 DEERMA

DEERMA, JUST WHAT  
YOU NEED



# DEM-S40 Pro

DEERMA Robot Vacuum

**USER MANUAL**

This product is only for indoor household use.

Before using the product described in this manual, please read and follow the precautions below to avoid dangerous situations and ensure the product operates correctly.

### Warning

This appliance is not intended for use by persons (including children) with reduced physical, sensory or mental capabilities, or lack of experience and knowledge, unless they have been given supervision or instruction concerning use of the appliance by a person responsible for their safety.

This appliance can be used by children aged from 8 years and above and persons with reduced physical sensory or mental capabilities or lack of experience and knowledge if they have been given supervision or instruction concerning use of the appliance in a safe way and understand the hazards involved. Children shall not play with the appliance. Cleaning and user maintenance shall not be made by children without supervision. Children should be supervised to ensure that they do not play with the appliance.

If the supply cord is damaged, it must be replaced by the manufacturer, its service agent or similarly qualified persons in order to avoid a hazard.

The plug must be removed from the socket-outlet before cleaning or maintaining the appliance.

This appliance contains batteries that are only replaceable by skilled persons.

Standby mode:  $\leq 0.5$  W

Networked standby mode:  $\leq 2.0$  W

Only professionals authorized by DEERMA are allowed to disassemble this product. It is not recommended for users to disassemble the product themselves

Use only with < DEM-S30 Ultra JZ > supply unit.

## ● SAFETY INSTRUCTIONS

---

EN

Do not bend the wires excessively, and do not place items or sharp objects on the machine.

Do not use it outdoors, on non-floor surfaces or industrial environments.

Do not place children, pets, or any items on the main unit.

Do not use this product in damp environments (such as bathrooms).

Before using this product, please remove fragile items, and clutter on the ground (such as vases, glass cup lamps, plastic bags, etc.), as well as items that may tangle the side the brush, suction channel, and drive wheel (such as wires, curtains, and other entangled objects) to avoid damage to valuable items or influencing the main unit's operation.

Do not place the product in areas where it may fall easily (such as tables, chairs).

If the supply cord is damaged it must be replaced by the manufacturer, its service agent or similarly qualified persons in order to avoid a hazard.

If you need to transport or not use the product for a long time, please turn off the machine.

Before charging, carefully check whether the power plug is properly connected to the socket.

To prevent tripping hazards, inform other people in the room when the product is operating.

If the dust box is full, please empty it before using.

The suitable operating temperature of this product is 0°C to 40°C.

Do not use this product in high-temperature environments.

If you need to dispose of this product, please contact after-sales personnel to remove the battery.

Please dispose of old batteries through safe recycling.

## Battery Safety

When not charging or when not in use for an extended period please unplug the charger from the power outlet and disconnect it from the product.

Do not use chargers that are already damaged or suspected of being damaged, or have been exposed to moisture, dampness, or rain to prevent electric shock or fire.

## Battery Removal and Disposal

This appliance contains a rechargeable lithium battery pack. The chemical substances within it can cause environmental pollution.

Please remove the battery pack before the product is scrapped and hand it over to a professional battery recycling institution for centralized disposal.

Before discarding the appliance, the battery must be removed from the appliance.

When removing the battery, the appliance must be powered off.

The battery should be disposed of safely.

### NOTE:

- Please power off the appliance and drain the battery as much as possible before removing the battery.
- Please hand over the removed battery to a professional battery recycling institution for disposal.
- Do not expose the battery to high-temperature environments, as it may cause an explosion.
- If the battery leaks and you accidentally come into contact with the leaked liquid, immediately rinse the affected area with plenty of clean water and seek medical attention right away.
- Use a screwdriver to open the battery compartment.
- Unplug the old battery and refasten the battery cover.

## Laser Safety

The laser sensor in this product meets the IEC 60825-1:2014 and EN 60825-1:2014/A11:2021 Standard for Class 1 laser products. Please avoid direct eye contact with it during use.



Pay attention to:

All products bearing this symbol are waste electrical and electronic equipment (WEEE as in directive 2012/19/EU) which should not be mixed with unsorted household waste. Instead, you should protect human health and the environment by handing over your waste equipment to a designated collection point for the recycling of waste electrical and electronic equipment, appointed by the government or local authorities. Correct disposal and recycling will help prevent potential negative consequences to the environment and human health. Please contact the installer or local authorities for more information about the location as well as terms and conditions of such collection points.

For detailed e-manual, please go to [www.deerma.com](http://www.deerma.com)



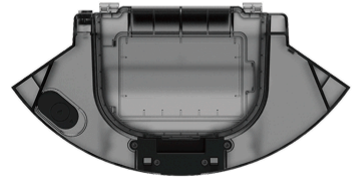
## Accessory List



1



2



3



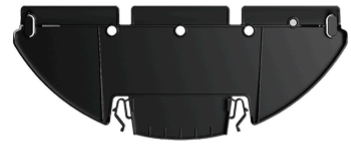
4



5



6



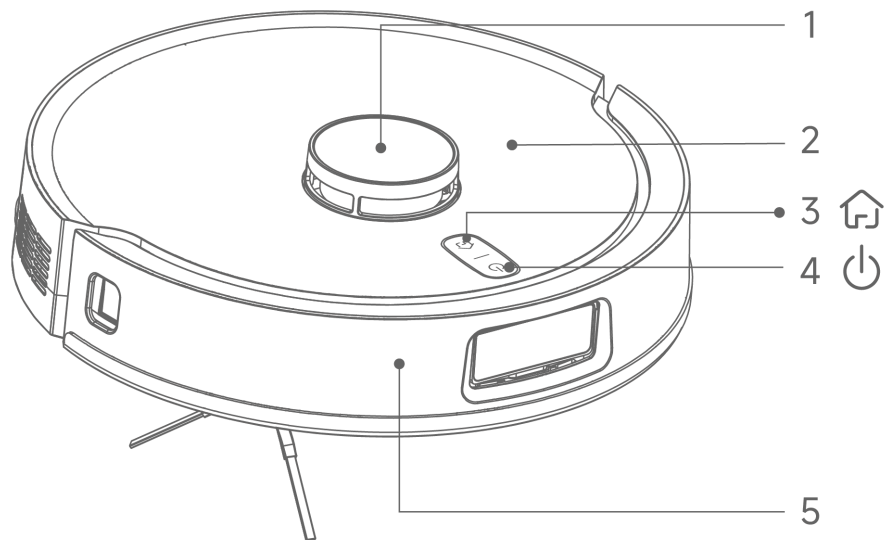
7

1. Robot
2. Charging base
3. Dustbin
4. Mop

5. Filter
6. Side brush
7. Mop attachment

**Component Name**

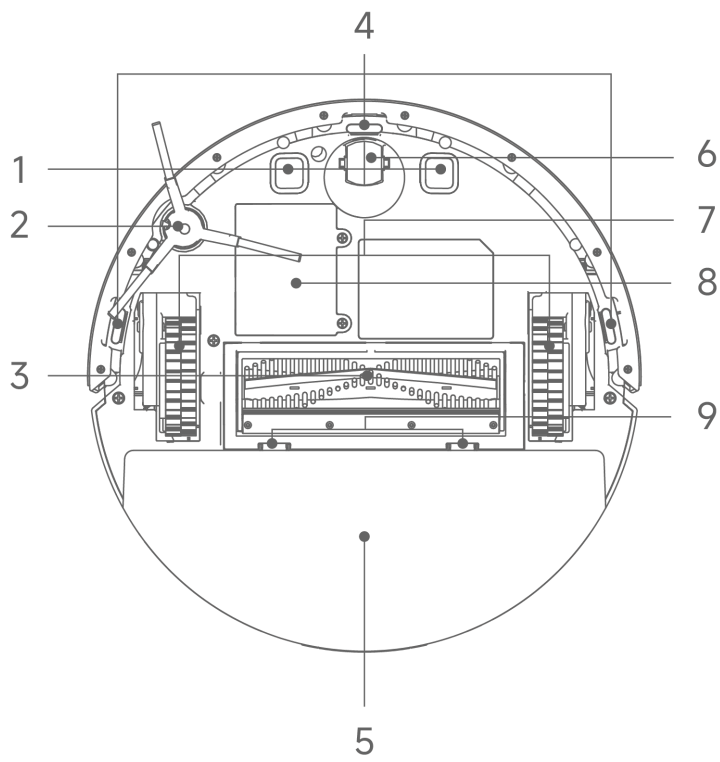
Main Unit



- 1. Laser
- 2. Top cover
- 3. Back home

- 4. Power on/off
- 5. Bumper

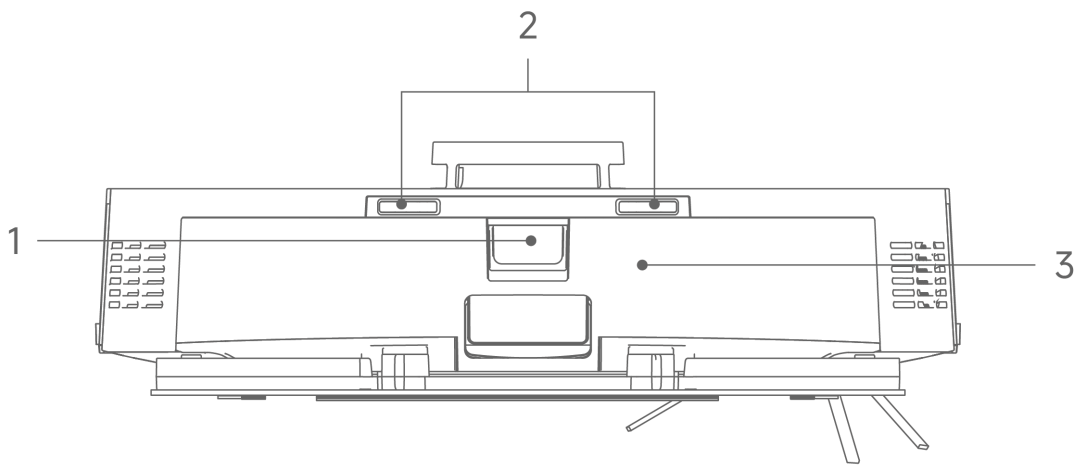
Component Name



- 1. Charging Contacts
- 2. Side brush
- 3. Main brush
- 4. Anti-collision sensors
- 5. Mop

- 6. Omnidirectional wheel
- 7. Drive wheels
- 8. Battery
- 9. Main brush cover latch

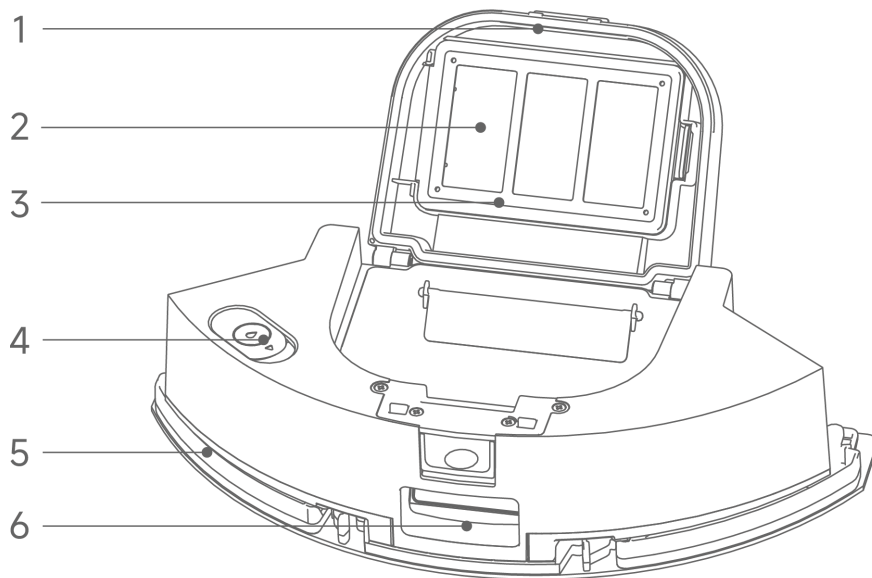
Component Name



- 1. Dustbin release button
- 2. Charging electrode plate

- 3. Dustbin

Component Name

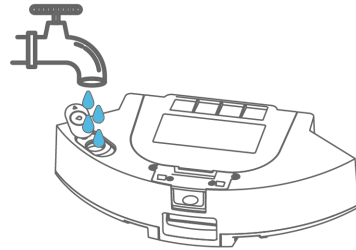
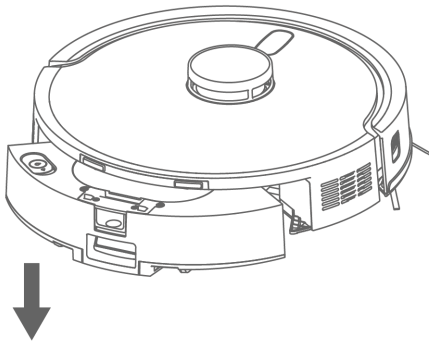


- 1. Dust tank cover
- 2. HEPA filter
- 3. HEPA filter cover

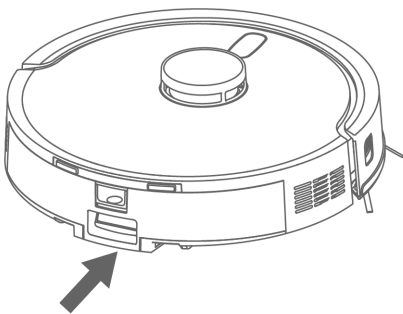
- 4. Water inlet
- 5. Mop attachment
- 6. Auto-Empty Port

## Flat Mop Installation

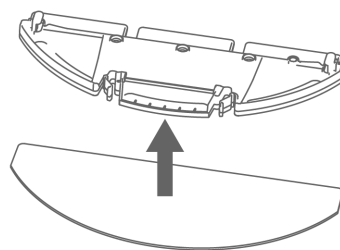
1



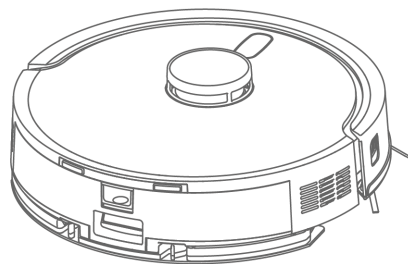
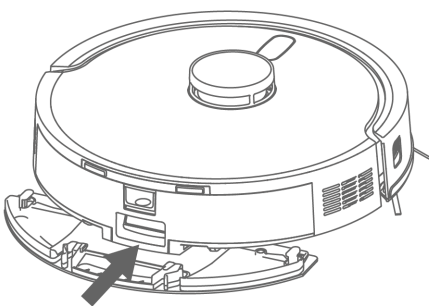
2



3

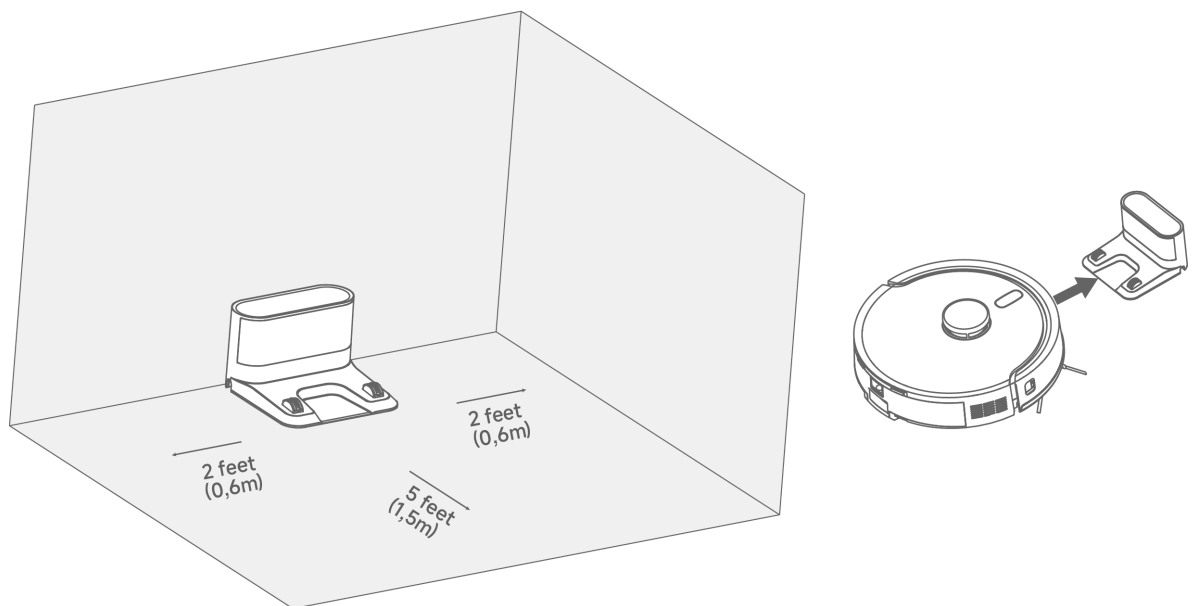


4



1. Remove the dustbin and open the tab and fill the reservoir with water.
2. Reinstall the water tank.
3. Stick the mop cloth on the mount in position and firmly.
4. Align and install the mop pad on the robot in place until you hear a click.

## Self-empty Charging Station Installation



### NOTE:

- Place the dock against a wall on a hard, flat floor (wood/tile etc.).
- Tidy cords, hard or sharp objects (such as nails and glass), and loose items from the ground and move any unstable, fragile, precious, or dangerous items which may block or slow down the operation of the robot vacuum cleaner.
- When using the robot in a raised area, always use a physical security barrier to prevent accidental falls that may result in personal injury or property damage.

## APP Download



Download App for your iOS or Android device. Create your account and connect your robot.

## Start Cleaning

1. Press and hold “ ⏻ ” to turn on/off the robot. The power indicator light will come on when robot is turned on.
2. Press the button “ ⏻ ” to start cleaning. The robot will plan its cleaning route according to its scan of the room.
3. When the robot is running, press any button to pause it, press “ ⏻ ” to resume cleaning. Press “ 🏠 ” to send it back to the dock.
4. After cleaning, the robot will automatically return to the dock to charge. In Pause mode, press “ 🏠 ” the button to send the robot back to the dock.

### NOTE:

- Fully charge the robot before first use.
- Fill the clean water tank with water prior to initial operation.
- Placing a paused robot on the dock manually will end the current cleanup.
- To allow the robot to automatically vacuum and return to the dock, start the robot from the dock. Do not move the dock during cleaning.
- Cleaning cannot start if the battery level is too low. Allow the robot to charge before starting the cleanup.
- Before cleaning, tidy cords (including the power cord of the dock) and valuables from the floor. Loose items may be dragged by the robot, resulting in the disconnection of electrical appliances or damage of cords and property.
- If the battery runs low during a cleaning cycle, the robot will auto-matically return to the dock. After charging, the robot will resume where it left off.
- Before starting each cleaning task, make sure that the mop cloths have been properly installed.

### Customized Suction Power and Mopping Water Volume

Switch on 'Customize mode' button on the app and then selecting the mode.

Four suction power levels: Quiet, standard, Strong, Max.

Three water volume modes: Low, Middle, High.

## Manual Mode

The robot vacuum cleaner can be moved manually by selecting manual mode in the app and using the arrow keys.

## Restricted Area Mode

Mark out specific areas on the map that you do not want the robot vacuum cleaner to clean.

## Selected Zone Cleaning

Mark out specific areas on the map that you want the robot vacuum cleaner to clean.

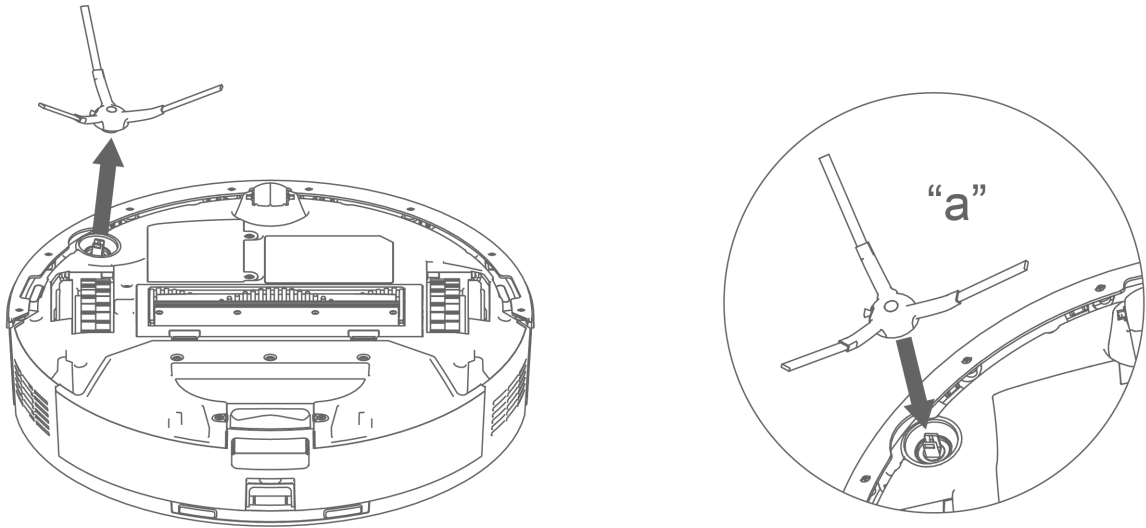
## Sleep Mode

1. If no operation is performed beyond 10 minutes, robot will enter the sleep mode automatically, and the power indicator will be off.
2. In sleep mode, users can press any button to wake up the robot. If no operation is performed beyond 10 hours, robot will powers off automatically.

## Do Not Disturb(DND) Mode

It can be modified or canceled from the app. When DND is on, the robot will not automatically resume cleanup and will not perform dust collection after cleaning, the power indicator light and voice will be off.

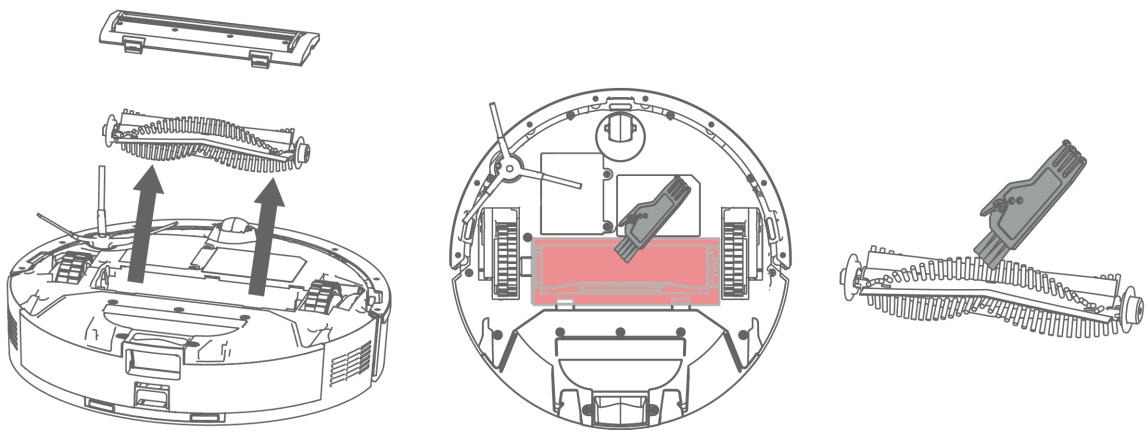
## Side Brush



### a. "Click"

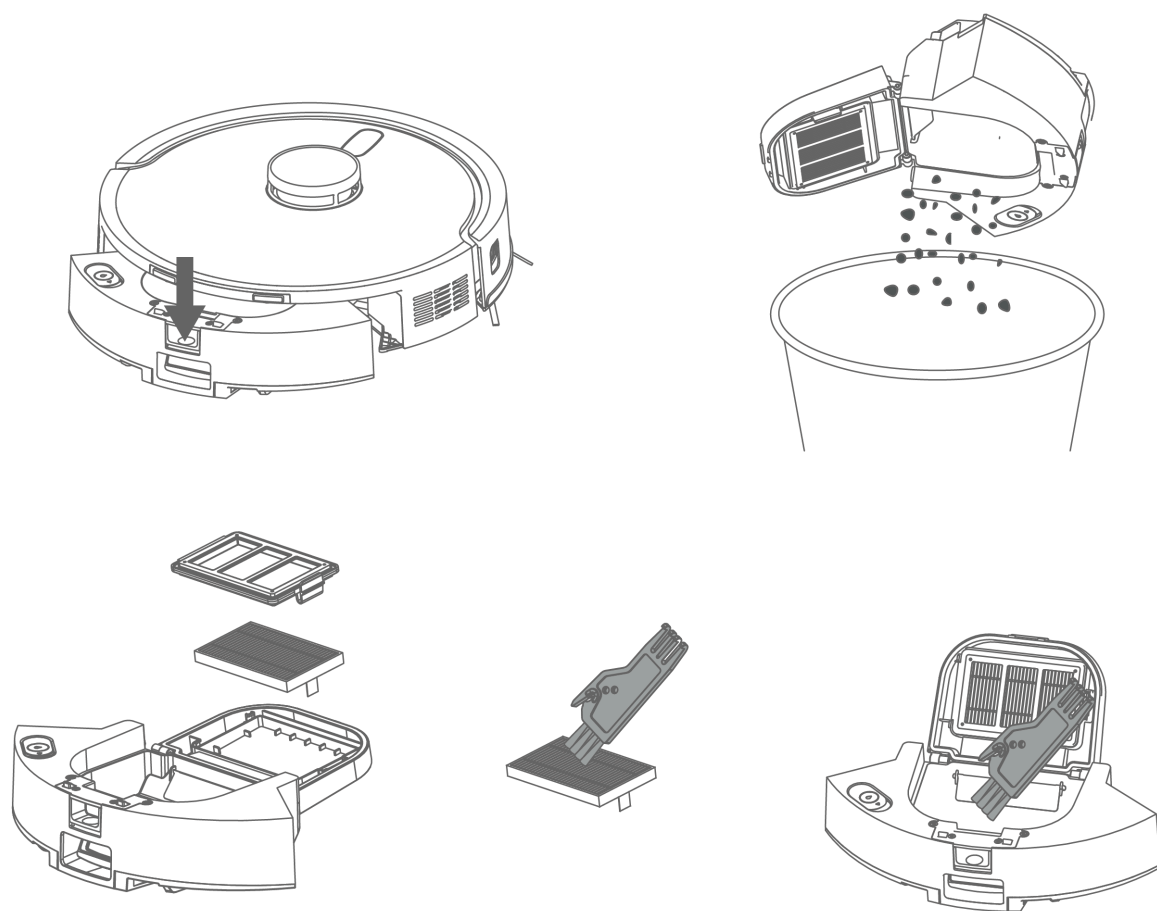
1. Pull up to remove the side brush.
2. Remove debris from the brush and brush sockets.
3. Reinstall the side brush.

## Main Brush



1. Softly press the main brush cover's two latches inwards to remove the main brush cover.
2. Pull out the main brushes and remove any entangled hair or dirt on brush or fixed end of the main brush.
3. Reinstall the main brush and its cover.

## Dustbin and Filter

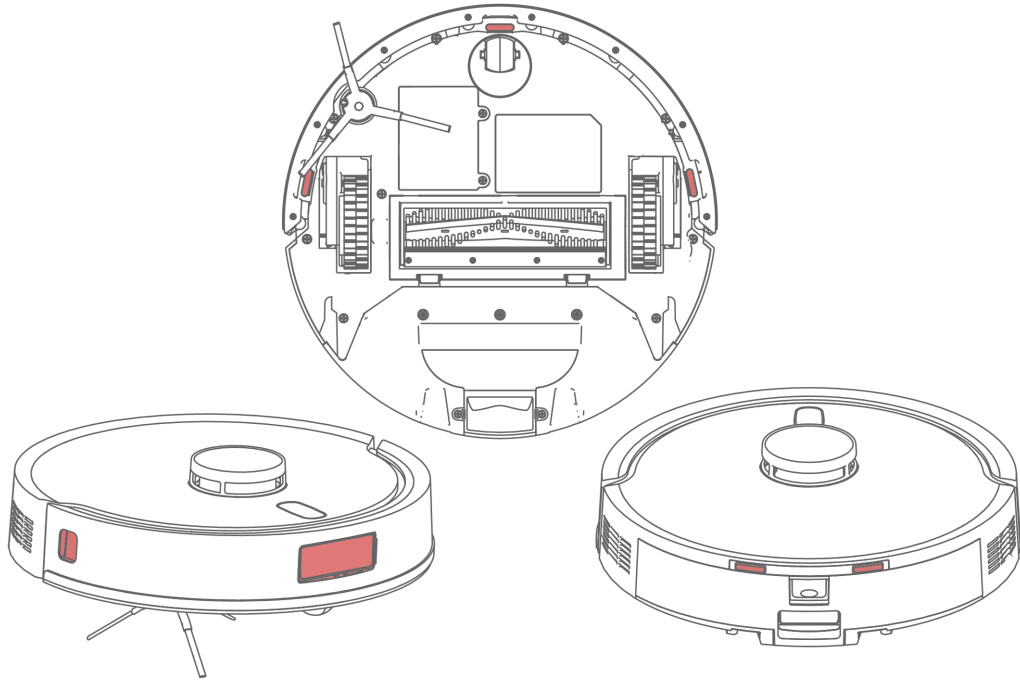


1. Remove the dustbin.
2. Open the dustbin and dump its contents.
3. Use the self-cleaning brush to clean the inside of the mixed tank.
4. Remove the filter and tap it to remove as much dirt as possible, and then reinstall it.
5. Reinstall the dust tank on the robot vacuum cleaner.

### NOTE:

Do not touch the surface of the filter with hands, brush or hard objects to avoid potential damage.

## Sensors

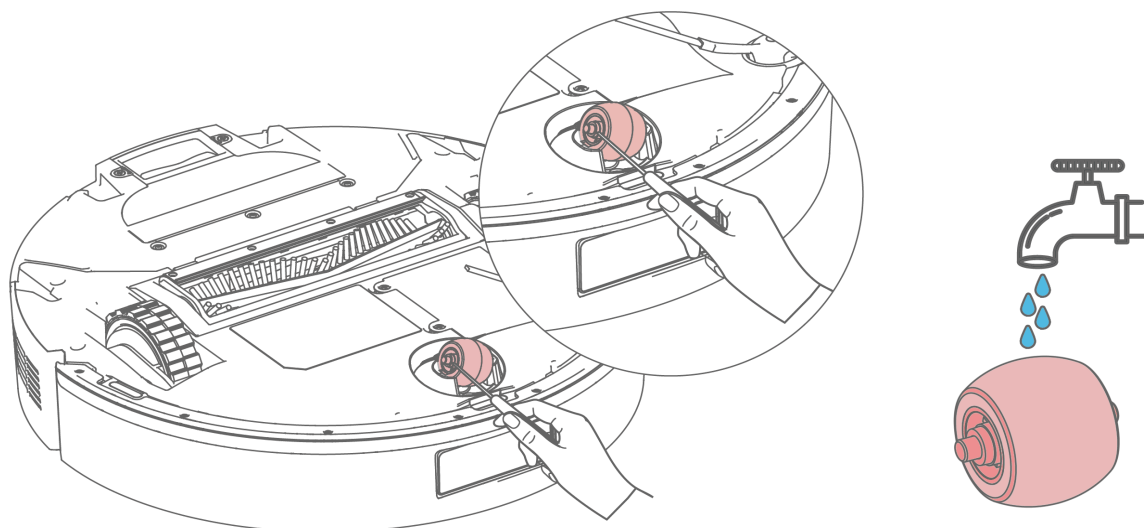


Use a soft,dry cloth to wipe and clean all sensors.

**NOTE:**

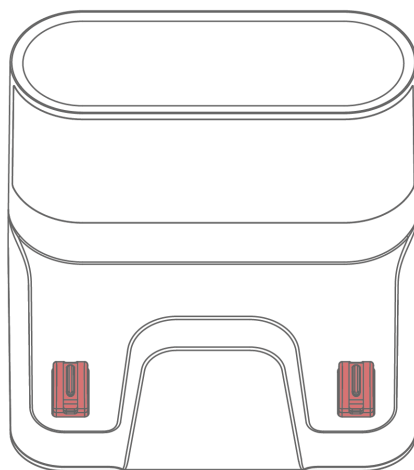
Robot's LiDAR is a sensitive sensor. Do not apply force,insert objects, or adjust the LiDAR. Do not sit or place items on top of robot.

## Front Wheel



1. Using a flat head screwdriver for leverage, grip the wheel firmly and pull.
2. Clean the wheel and all its components, including the asseembly and wheel socket.
3. Push down the wheel to lock it into place.

## Replacing the Disposable Dust Bag

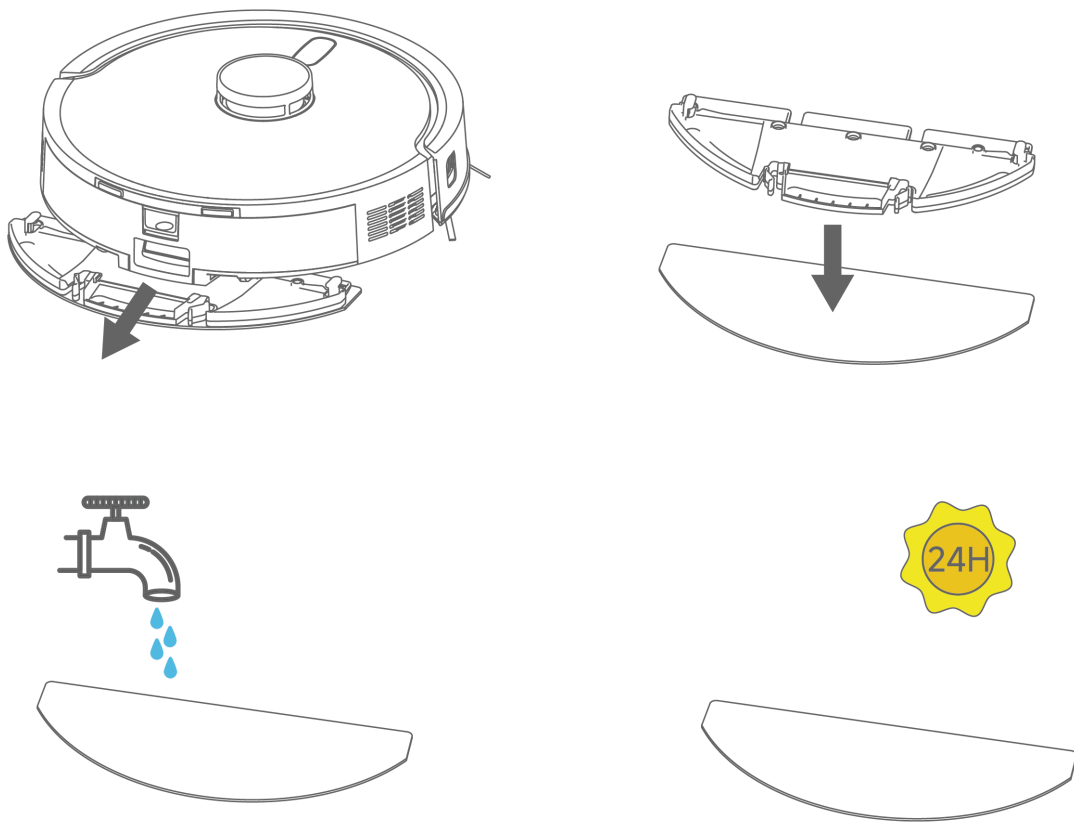


1. Cut off the power to the charging base.
2. Use a clean, soft cloth to wipe the charging contact electrodes.

### NOTE:

Do not use any corrosive liquids to clean the charging electrodes.

## Wet Mop Attachment Maintenance

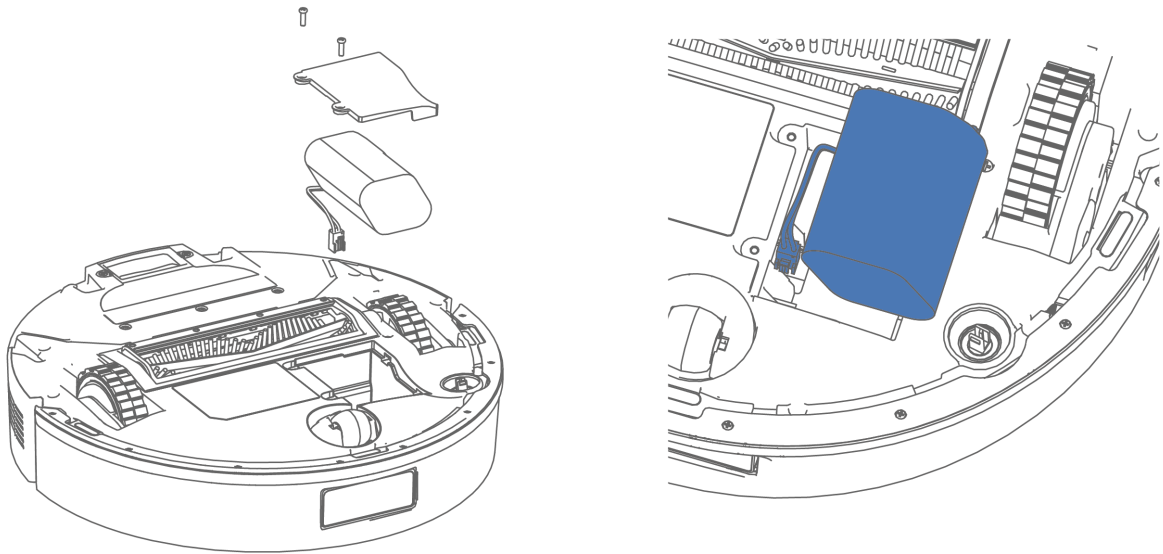


1. Remove the mop attachment.
2. Pull open the tab and empty the reservoir.
3. Tap any debris that may have collected inside the attachment.
4. Wash the mopping cloth. Air-dry all parts when done.

### NOTE:

The reservoir should be drained after use to avoid possible water damage.

## Charging and Replacing the Battery



1. Use a Phillips head screwdriver to open the battery compartment.
2. Unplug the old battery and plugin your new one and refasten the battery cover.

### NOTE:

- To extend battery life, leave the robot vacuum cleaner charging on the self-emptying base whenever not in use.
- Remove the battery and store it in a safe, dry place if the robot vacuum cleaner will not be used for a long period of time.
- Do not use the rechargeable battery of this product in other devices.

Recommend Maintenance Frequency

| Part        | Maintenance Frequency | Replacement Frequency |
|-------------|-----------------------|-----------------------|
| Dustbin     | Daily                 |                       |
| Filter      | Weekly                | Every 3~6 months      |
| Side Brush  | Weekly                | Every 3~6 months      |
| Main Brush  | Weekly                | Every 3~6 months      |
| Sensors     | Weekly                |                       |
| Front wheel | Weekly                |                       |
| Battery     |                       | Every 12-24 months    |

| Trouble                                    | Solution   |
|--|--|
| Unable to power on                         | <ul style="list-style-type: none"> <li>• Battery low. Put the robot on the charging dock and charge it before use.</li> <li>• Battery temperature too low or too high. Only use the robot within the range of 0-40°C.</li> </ul>   |
| Unable to charge                           | <ul style="list-style-type: none"> <li>• Dock not connected to power. Check whether both ends of the power cord are properly connected.</li> <li>• Poor contact. Clean the charging contacts of the dock and the robot.</li> <li>• Confirm that the dock indicator light is on.</li> </ul>   |
| Unable to dock                             | <ul style="list-style-type: none"> <li>• Too many obstacles near the dock. Move it to an open area.</li> <li>• The robot is too far from the charging dock. Place it closer and retry.</li> <li>• The dock locator may be dirty. Wipe them with a dry cloth.</li> </ul>  |
| Unable to connect to WiFi                  | <ul style="list-style-type: none"> <li>• WiFi disabled. Reset the WiFi and try again.</li> <li>• Poor WiFi signal. Move the robot to an area with good WiFi reception.</li> <li>• Abnormal WiFi connection. Reset the WiFi, download the latest mobile app and retry.</li> <li>• The Wi-Fi connection is unstable. Reset the router, check if there are any App updates, and try again.</li> </ul> |
| Noise during cleaning                      | <ul style="list-style-type: none"> <li>• The main brush, side brush, drive wheels or front wheel may be jammed. Turn off the robot and clean them.</li> </ul>  |
| Cleaning does not resume after recharging. | <ul style="list-style-type: none"> <li>• Make sure that the robot is not in Do not Disturb mode.</li> <li>• Carpet ignorance is switched on in app. Check in-App setting.</li> </ul>   |

|  |   |
|--|---|
| <p>Schedules are not effective</p>                                 | <ul style="list-style-type: none"> <li>• Make sure that the robot is not in Do not Disturb mode.</li> <li>• Schedules will only take effect when the battery is higher than 20%.</li> </ul>   |
| <p>Reduced emptying performance or unusual noise when emptying</p> | <ul style="list-style-type: none"> <li>• The main brush or main brush cover is not properly installed. Check and install in place.</li> <li>• The filter, air duct, suction inlet, air inlet, dustbin or dust bag is blocked. Clean to remove blockages.</li> </ul> |
| <p>Wet mopping is not effective</p>                                | <ul style="list-style-type: none"> <li>• Check water volume adjustment setting in app.</li> <li>• Check that robot water tank has been refilled as required.</li> </ul>   |

---

## Main Unit

Product Name: Robot Vacuum  
Product Model: DEM-S30 Ultra  
Rated Voltage: 14.4 V  $\text{DC}$   
Rated Power: 75W  
Charging Voltage: 19 V  $\text{DC}$   
Charging Current: 0.6 A

---

## Charging Base

Product Model: DEM-S30 Ultra JZ  
Rated Input: 19 V  $\text{DC}$  0.6 A  
Rated Output: 19 V  $\text{DC}$  0.6 A

### NOTE:

The graphics in this manual are schematic representations and may not exactly match the device.

This warranty gives you specific legal rights, and you may also have other rights which vary by country. The duration and conditions related to the legal warranties are provided by respective local laws. DEERMA shall not be liable for any costs, damages, or repairs resulting from the following conditions:

- Normal wear and tear.
- For commercial, professional or non-household use, unless the product is explicitly designated for such use.
- Consumables and accessories.
- Non-compliance with the user instructions. Defects caused by rough or inappropriate handling or use.
- Damage caused by accident (e.g., impact, shock, exposure to liquid), fire, water, lightning or other acts of nature.
- Damage caused by incompatible or non-approved accessories or components.
- Willful or deliberate damage, neglect or negligence.
- Repairs, modifications, or disassembly performed by unauthorized persons or agents.
- Any alteration or modification to the product.
- Products purchased from unauthorized sellers/dealers/resellers, unless otherwise required by applicable law.

In case of a product fault or for any warranty questions, please reach out to the seller with your purchase receipt. You may also contact DEERMA customer support directly for further assistance. For complete information on consumer warranty benefits, visit DEERMA's official website at <http://www.deerma.com>.

---

**Guangdong Deerma Health Technology Co., Ltd.**

Add: No. 9 Chuangsheng Road, Xincun Village, Beijiao Town,  
Shunde District, Foshan City, Guangdong Province, China  
Made in China

